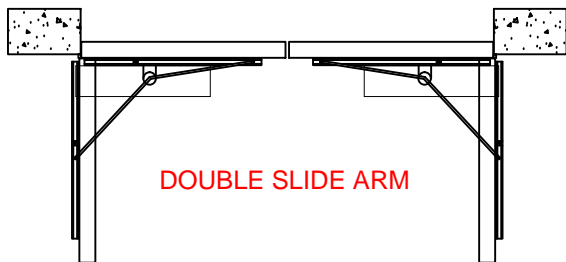
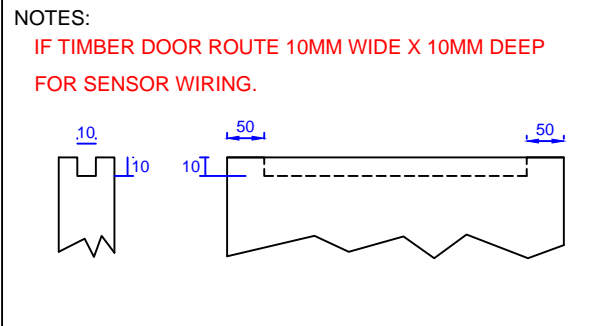


SINGLE SLIDE ARM

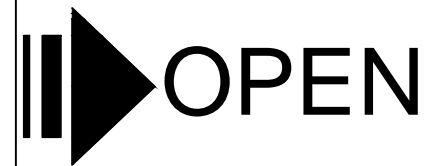


DOUBLE SLIDE ARM

- * Fixings of slide channel through end blocks
- * Slide channel tested for final position once operator is in place
- * Operator mounting on hinge line or up to 45mm past
- * Floor stop or arm stop to be installed



- NOTES:
- * Do not scale
 - * Unless otherwise stated all dimensions in millimeters
 - * FFL - Finished Floor Level (including carpets etc.)



| | |
|--|--|
| <small>THINK OF US AUTOMATICALLY</small> | <small>TITLE</small> LSW-LP SERIES SWING SLIDE ARM |
| | <small>DRG. NO.</small> lsw-sd001 |
| <small>SCALE</small> NOT TO SCALE | |
| <small>DATE</small> 20/08/15 | |