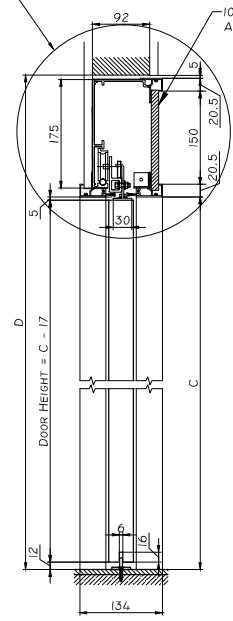
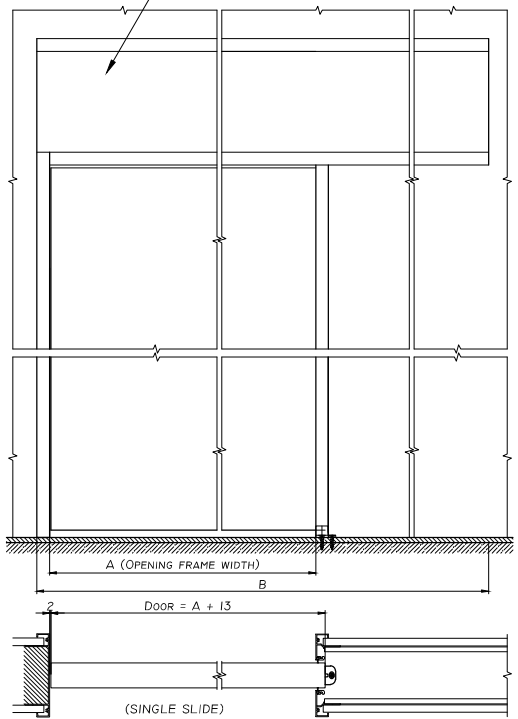


REFER TO DETAIL I

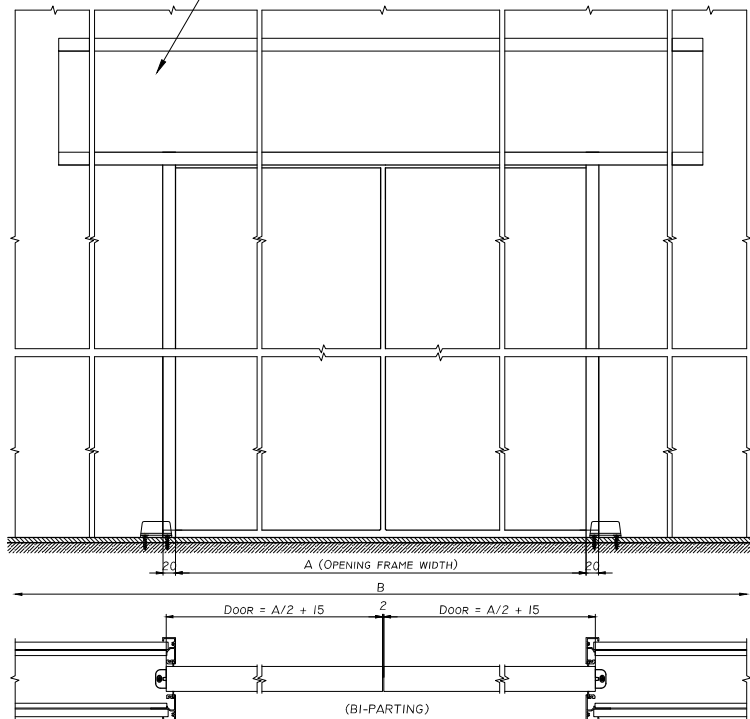


10-13mm THICK REMOVABLE ACCESS PANEL



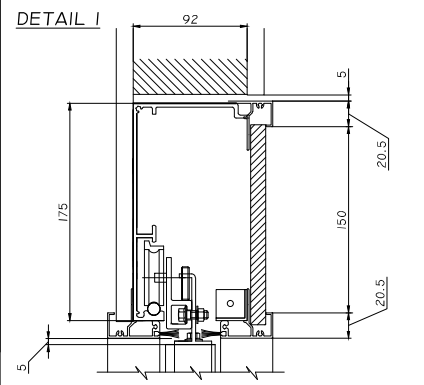
(SINGLE SLIDE)

10-13mm THICK REMOVABLE ACCESS PANEL



(BI-PARTING)

DETAIL I



NOTES:

- \* DO NOT SCALE
- \* UNLESS OTHERWISE STATED ALL DIMENSIONS IN MILLIMETERS
- \* FFL - FINISHED FLOOR LEVEL (INCLUDING CARPETS ETC.)

**AUTOINGRESS**  
THINK OF US AUTOMATICALLY  
AUTOMATIC DOORS

SCALE **1 : 2**

DATE **20/08/15**

TITLE **CAVITY SLIDER DETAILS (TIMBER DOOR)**

DRG. NO. **LSL-CV002**